

Application

CJX2 series AC Contactor is suitable for using in the circuits up to the rated voltage 660V AC 50/60Hz, rated current up to 620A, for making, breaking, frequently starting & controlling the AC motor. Combined with the auxiliary contact block, timer delay & machine-interlocking device etc, it becomes the delay contactor, mechanical interlocking contactor, star-delta starter. With the thermal relay, it is combined into the electromagnetic starter. The product conforms to IEC60947-4-1 standard.



CJX2-D09



CJX2-D25



CJX2-D50



CJX2-D95

Specification

| Item | | CJX2-D09 | CJX2-D12 | CJX2-D18 | CJX2-D25 | CJX2-D32 | CJX2-D40 | CJX2-D50 | CJX2-D65 | CJX2-D80 | CJX2-D95 |
|--|-------------------------|----------|----------|----------|----------|----------|----------|----------|----------|----------|----------|
| Rated working current (A) | AC3 | 9 | 12 | 18 | 25 | 32 | 40 | 50 | 65 | 80 | 95 |
| | AC4 | 3.5 | 5 | 7.7 | 8.5 | 12 | 18.5 | 24 | 28 | 37 | 44 |
| Standard power ratings of 3-phase motors 50/60Hz in category AC-3 (kW) | 220/230V | 2.2 | 3 | 4 | 5.5 | 7.5 | 11 | 15 | 18.5 | 22 | 25 |
| | 380/400V | 4 | 5.5 | 7.5 | 11 | 15 | 18.5 | 22 | 30 | 37 | 45 |
| | 415V | 4 | 5.5 | 9 | 11 | 15 | 22 | 25 | 37 | 45 | 45 |
| | 500V | 5.5 | 7.5 | 10 | 15 | 18.5 | 22 | 30 | 37 | 55 | 55 |
| | 660/690V | 5.5 | 7.5 | 10 | 15 | 18.5 | 30 | 33 | 37 | 45 | 55 |
| Rated heat current (A) | | 20 | 20 | 32 | 40 | 50 | 60 | 80 | 80 | 125 | 125 |
| Electrical life | AC3 (x10 ⁴) | 100 | 100 | 100 | 100 | 80 | 80 | 60 | 60 | 60 | 60 |
| | AC4 (x10 ⁴) | 20 | 20 | 20 | 20 | 20 | 15 | 15 | 15 | 10 | 10 |
| Mechanical life (x10 ⁴) | | 1000 | 1000 | 1000 | 1000 | 800 | 800 | 800 | 800 | 600 | 600 |
| Number of the contacts | | 3P+NO | | 3P+NC | | 3P+NC+NO | | | | | |

| Item | | CJX2-D115 | CJX2-D150 | CJX2-D170 | CJX2-D205 | CJX2-D245 | CJX2-D300 | CJX2-D410 | CJX2-D475 | CJX2-D620 |
|--|-------------------------|-----------|-----------|-----------|-----------|-----------|-----------|-----------|-----------|-----------|
| Rated working current (A) | AC3 | 115 | 150 | 170 | 205 | 245 | 300 | 410 | 475 | 620 |
| | AC4 | 52 | 60 | 75 | 85 | 105 | 117 | 138 | 147 | 180 |
| Standard power ratings of 3-phase motors 50/60Hz in category AC-3 (kW) | 220/230V | 30 | 40 | 55 | 63 | 75 | 100 | 110 | 147 | 200 |
| | 380/400V | 55 | 75 | 90 | 110 | 132 | 160 | 220 | 265 | 335 |
| | 415V | 59 | 80 | 100 | 110 | 132 | 180 | 220 | 280 | 375 |
| | 500V | 75 | 90 | 110 | 129 | 160 | 200 | 250 | 355 | 400 |
| | 660/690V | 80 | 100 | 110 | 129 | 160 | 220 | 280 | 355 | 450 |
| Rated heat current (A) | | 200 | 250 | 250 | 275 | 315 | 400 | 500 | 700 | 1000 |
| Electrical life | AC3 (x10 ⁴) | 200 | 60 | 60 | 50 | 50 | 50 | 30 | 30 | 20 |
| | AC4 (x10 ⁴) | 15 | 15 | 15 | 15 | 15 | 15 | 8 | 8 | 5 |
| Mechanical life (x10 ⁴) | | 300 | 300 | 300 | 300 | 300 | 300 | 100 | 100 | 100 |

Standard Control Circuit Voltages

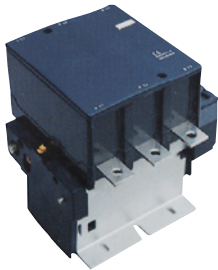
| Volts | 24 | 42 | 48 | 110 | 220 | 230 | 240 | 380 | 400 | 415 | 440 | 500 | 660 |
|---------|----|----|----|-----|-----|-----|-----|-----|-----|-----|-----|-----|-----|
| 50Hz | B5 | D5 | E5 | F5 | M5 | P5 | U5 | Q5 | V5 | N5 | R5 | S5 | Y5 |
| 60Hz | B6 | D6 | E6 | F6 | M6 | — | U6 | Q6 | — | — | R6 | — | — |
| 50/60Hz | B7 | D7 | E7 | F7 | M7 | P7 | U7 | Q7 | V7 | N7 | R7 | — | — |

Outline and Mounting Dimension

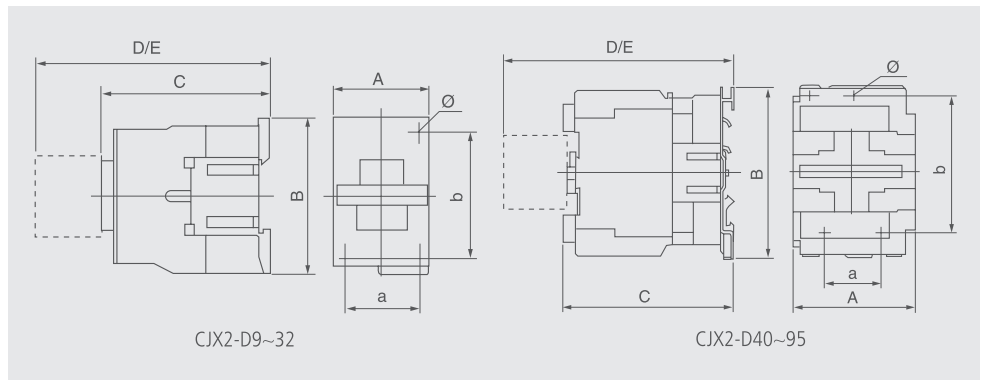


CJX2-D115

| Item | A | B | C | D | E | a | b | Ø |
|-------------|----|-----|-----|-----|-----|-------|---------|-----|
| CJX2-D09~12 | 47 | 76 | 82 | 113 | 133 | 34/35 | 50/60 | 4.5 |
| CJX2-D18 | 47 | 76 | 87 | 118 | 138 | 34/35 | 50/60 | 4.5 |
| CJX2-D25 | 57 | 86 | 95 | 126 | 146 | 40 | 48 | 4.5 |
| CJX2-D32 | 57 | 86 | 100 | 131 | 151 | 40 | 48 | 4.5 |
| CJX2-D40~65 | 77 | 129 | 116 | 145 | 165 | 40 | 100/110 | 6.5 |
| CJX2-D80~95 | 87 | 129 | 127 | 175 | 195 | 40 | 100/110 | 6.5 |

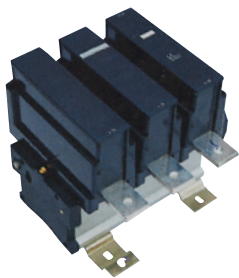


CJX2-D205

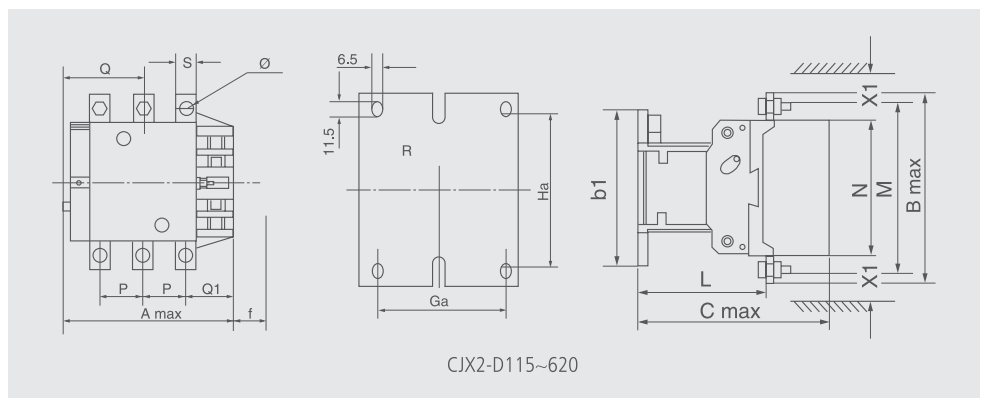


CJX2-D300

| Item | A | B | C | b1 | P | Q | S | Q1 | M | N | L | Ø | Ga | Ha |
|-----------|-------|-----|-----|-----|----|-----|----|------|-----|------|-------|-----|----|---------|
| CJX2-D115 | 158 | 120 | 132 | 158 | 35 | 60 | 17 | 25 | 134 | 96.2 | 75 | M6 | - | - |
| CJX2-D150 | 158 | 120 | 132 | 158 | 35 | 60 | 17 | 25 | 134 | 96.2 | 75 | M6 | - | - |
| CJX2-D170 | 158 | 120 | 132 | 158 | 35 | 60 | 17 | 25 | 134 | 96.2 | 75 | M6 | - | - |
| CJX2-D205 | 168.5 | 174 | 181 | 137 | 40 | 69 | 20 | 59.4 | 154 | 127 | 113.5 | M8 | 80 | 120-106 |
| CJX2-D245 | 168.5 | 197 | 181 | 137 | 48 | 69 | 25 | 51.5 | 172 | 127 | 113.5 | M10 | 80 | 120-106 |
| CJX2-D300 | 213 | 206 | 219 | 145 | 48 | 91 | 25 | 74 | 181 | 158 | 145 | M10 | 80 | 120-106 |
| CJX2-D410 | 213 | 206 | 219 | 209 | 48 | 91 | 25 | 74 | 181 | 158 | 145 | M10 | 80 | 120-106 |
| CJX2-D475 | 233 | 238 | 232 | 209 | 55 | 108 | 30 | 77 | 208 | 172 | 146 | M10 | 80 | 180 |
| CJX2-D620 | 309 | 304 | 255 | 280 | 80 | 140 | 40 | 89 | 264 | 202 | 155 | M1 | 80 | 180 |



CJX2-D620





LA1-DN11

Auxiliary Contact Block

| Appellation | Item | |
|--|----------|--|
| Auxiliary instantaneous contactor block, contactor I | LA1-DN10 | |
| | LA1-DN01 | |

| Appellation | Item | |
|---|-----------|--|
| Auxiliary instantaneous contactor block, contactor II | LA1-DN11C | |
| | LA1-DN20C | |
| | LA1-DN02C | |



LA1-DN22

| Appellation | Item | |
|---|----------|--|
| Auxiliary instantaneous contactor block, contactor IV | LA1-DN40 | |
| | LA1-DN31 | |
| | LA1-DN22 | |
| | LA1-DN13 | |
| | LA1-DN04 | |

| Appellation | Item | |
|---|-----------|--|
| Auxiliary instantaneous contactor block, contactor IV | LA1-DN40C | |
| | LA1-DN31C | |
| | LA1-DN22C | |
| | LA1-DN13C | |
| | LA1-DN04C | |



LA8-DN11

| Appellation | Item | |
|-------------------------------|-----------|--|
| Side-mounted auxiliary module | LA8-DN11C | |
| | LA8-DN20C | |

Auxiliary Contact Block

| Appellation | Item | |
|---|-------------------|---------------------|
| Auxiliary instantaneous contactor block, contactor IV | 0.1...3S LA2-DT0 | 1NO+1NC On Delay |
| | 0.1...30S LA2-DT2 | |
| | 10...180S LA2-DT4 | |
| | 1...30S LA2-DS2 | |



LA2-DT2

| Appellation | Item | |
|--|-------------------|----------------------|
| Time delay auxiliary contactor block releasing and delay | 0.1...3S LA3-DR0 | 1NO+1NC Off Delay |
| | 0.1...30S LA3-DR2 | |
| | 10...180S LA3-DR4 | |

Characteristic





CJX2N-09



CJX2N-25



CJX2N-50

Application

CJX2N series AC contactor is suitable for frequency 50/60Hz, rated insulation voltage up to 1000V, rated operation current 9~150A under AC-3 duty. It is mainly used for making/breaking electric circuits at a long distance & for frequent starting/stopping & controlling AC Motors. It is used in combination with thermal relay to compose a magnetic motor starter. The products comply with IEC60947-4-1 standard.

Specification

| Item | CJX2N-09 | CJX2N-12 | CJX2N-18 | CJX2N-25 | CJX2N-32 | CJX2N-38 | CJX2N-40 |
|--|---|----------|----------|----------|----------|----------|----------|
| Rated working current Ie (A) AC-3 Ue≤440V | 12 | 12 | 18 | 25 | 32 | 38 | 40 |
| Rated hear current Ith (A) | 25 | 25 | 32 | 40 | 50 | 50 | 60 |
| Rated insulation voltage Ui (V) | 690 | 690 | 690 | 690 | 690 | 690 | 1000 |
| Rated operating voltage Ue (V) Max | 690 | 690 | 690 | 690 | 690 | 690 | 1000 |
| Rated operational power in AC-3 Pe (kW) | 220/230V | 3 | 3 | 4 | 5.5 | 9 | 11 |
| | 380/400V | 5.5 | 5.5 | 7.5 | 11 | 18.5 | 18.5 |
| | 415/440V | 5.5 | 5.5 | 9 | 11 | 18.5 | 22 |
| | 500V | 7.5 | 7.5 | 10 | 15 | 18.5 | 22 |
| | 660/690V | 7.5 | 7.5 | 10 | 15 | 18.5 | 30 |
| Rated operational power in AC-4 Pe (kW) | 220/230V | 1.5 | 1.5 | 2.2 | 3 | 4 | 4 |
| | 380/400V | 3.7 | 3.7 | 4 | 5.5 | 7.5 | 9 |
| | 415/440V | 3 | 3 | 3.7 | 5.5 | 7.5 | 9/11 |
| | 500V | 4 | 4 | 5.5 | 7.5 | 9 | 11 |
| 660/690V | 5.5 | 5.5 | 7.5 | 10 | 11 | 15 | |
| Frequency of operation (I/h) | 1200 | 1200 | 1200 | 1200 | 1000 | 1000 | 1000 |
| Electrical endurance (x10 ⁴) | AC-3 | 100 | 100 | 100 | 100 | 80 | 80 |
| | AC-4 | 20 | 20 | 20 | 20 | 20 | 15 |
| Mechanical endurance (x10 ⁶) | | 15 | 15 | 15 | 15 | 15 | 6 |
| Operating voltage range of coil | Close voltage:(0.85~1.1)Us Open voltage:(20%~75%)Us | | | | | | |
| Power consumption of coil (VA) | Attracting | 7 | 7 | 7 | 7 | 7 | 20 |
| | Starting | 70 | 70 | 70 | 70 | 70 | 200 |
| Rated insulation voltage of auxiliary contacts (V) | 690 | 690 | 690 | 690 | 690 | 690 | 690 |
| Conventional thermal current of auxiliary contacts (A) | 10 | 10 | 10 | 10 | 10 | 10 | 10 |
| Auxiliary contacts specification | AC-15:360VA DC-13:33W | | | | | | |





CJX2N-80



CJX2N-115



CJX2N-150


Specification

| Item | | CJX2N-50 | CJX2N-65 | CJX2N-80 | CJX2N-95 | CJX2N-115 | CJX2N-150 |
|---|------------|---|----------|----------|----------|-----------|-----------|
| Rated working current Ie (A) AC-3 Ue≤440V | | 50 | 65 | 80 | 95 | 115 | 150 |
| Rated hear current Ith (A) | | 80 | 80 | 125 | 125 | 200 | 200 |
| Rated insulation voltage Ui (V) | | 1000 | 1000 | 1000 | 1000 | 1000 | 1000 |
| Rated operating voltage Ue (V) Max | | 1000 | 1000 | 1000 | 1000 | 1000 | 1000 |
| Rated operational power in AC-3 Pe (kW) | 220/230V | 15 | 18.5 | 22 | 25 | 30 | 40 |
| | 380/400V | 22 | 30 | 37 | 45 | 55 | 75 |
| | 415/440V | 25/30 | 37 | 45 | 45 | 59 | 80 |
| Rated operational power in AC-4 Pe (kW) | 500V | 30 | 37 | 55 | 55 | 75 | 90 |
| | 660/690V | 33 | 37 | 45 | 45 | 80 | 100 |
| | 220/230V | 5.5 | 7.5 | 7.5 | 9 | 9 | 11 |
| Rated operational power in AC-4 Pe (kW) | 380/400V | 11 | 11 | 15 | 15 | 18.5 | 22 |
| | 415/440V | 11 | 11/15 | 15 | 15 | 18.5 | 22 |
| | 500V | 15 | 18.5 | 22 | 22 | 30 | 37 |
| | 660/690V | 18.5 | 22 | 25 | 25 | 30 | 45 |
| Frequency of operation (I/h) | | 1000 | 1000 | 750 | 750 | 750 | 750 |
| Electrical endurance (x10 ⁴) | AC-3 | 60 | 60 | 60 | 60 | 60 | 60 |
| | AC-4 | 15 | 15 | 10 | 10 | 15 | 15 |
| Mechanical endurance (x10 ⁶) | | 6 | 6 | 4 | 4 | 4 | 4 |
| Operating voltage range of coil | | Close voltage:(0.85~1.1)Us Open voltage:(20%~75%)Us | | | | | |
| Power consumption of coil (VA) | Attracting | 20 | 20 | 20 | 20 | 22 | 22 |
| | Starting | 200 | 200 | 200 | 200 | 300 | 300 |
| Rated insulation voltage of auxiliary contacts (V) | 690 | 690 | 690 | 690 | 690 | 690 | 690 |
| Conventional thermal current of auxiliary contacts (A) | 10 | 10 | 10 | 10 | 10 | 10 | 10 |
| Auxiliary contacts specification | | AC-15:360VA DC-13:33W | | | | | |

Standard Control Circuit Voltages

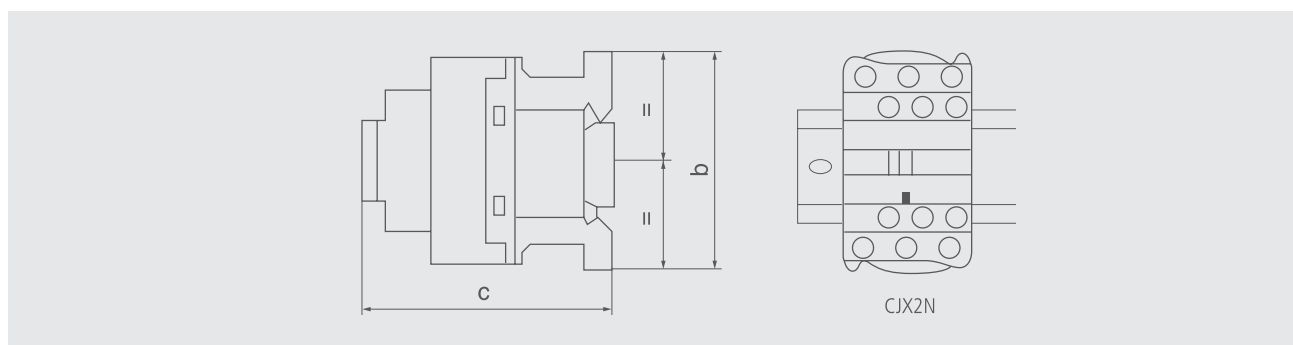
| Volts | 24 | 42 | 48 | 110 | 220 | 230 | 240 | 380 | 400 | 415 | 440 | 500 | 660 |
|---------|----|----|----|-----|-----|-----|-----|-----|-----|-----|-----|-----|-----|
| 50Hz | B5 | D5 | E5 | F5 | M5 | P5 | U5 | Q5 | V5 | N5 | R5 | S5 | Y5 |
| 60Hz | B6 | D6 | E6 | F6 | M6 | — | U6 | Q6 | — | — | R6 | — | — |
| 50/60Hz | B7 | D7 | E7 | F7 | M7 | P7 | U7 | Q7 | V7 | N7 | R7 | — | — |

Characteristic

| Contactor | Auxiliary Blocks | Relative Products |
|---|------------------|---|
|  | + |  Delay timer |
| | | →  Time-delay contactor |
|  | + |  Thermal relay |
| | | →  Magnetic starter |
|  | + |  Auxiliary block |
| | | →  AC Contactor |

Outline and Mounting Dimension

| | | | | | | | | | | | | | |
|---|------|------|------|------|------|------|-----|-----|-----|-------|-------|-----|-----|
| | 09 | 12 | 18 | 25 | 32 | 38 | 40 | 50 | 65 | 80 | 95 | 115 | 150 |
| b | 76.6 | 76.6 | 76.6 | 76.6 | 76.6 | 76.6 | 127 | 127 | 127 | 127 | 127 | 158 | 158 |
| c | 87 | 87 | 87 | 94 | 94 | 94 | 116 | 116 | 116 | 123.8 | 123.8 | 132 | 132 |



Application

JR28 series thermal relay is suitable for using in the circuit rated voltage up to 660V, rated current 93A AC 50/ 60Hz, for over-current protection of AC motor. The relay has the differential mechanism and temperature compensation and can plug in CJX2 series AC contactor. The product conforms to IEC60947-4-1 standard.



JR28-25



JR28-36



JR28-93



JR28-150

Motion Characteristic: Three-phase Balance Motion Time

| No | Times of the setting current(A) | Motion time | | | Start condition | Ambient temperature 20±5°C |
|----|---------------------------------|-------------|-----------|------|-----------------|-------------------------------|
| 1 | 1.05 | >2h | | | Cold state | |
| 2 | 1.2 | <2h | | | Heat state | |
| 3 | 1.5 | <4min | | | Heat state | |
| 4 | 7.2 | 10A | 2s<Tp≤10s | ≤63A | Cold state | |
| | | 10 | 4s<Tp≤10s | >63A | | |

Phase-losing Motion Characteristic

| No | Times of the setting current(A) | | Motion time | Start condition | Ambient temperature 20±5°C |
|----|---------------------------------|---------------|-------------|---|-------------------------------|
| | Any two phases | Another phase | | | |
| 1 | 1.0 | 0.9 | >2h | Cold state | |
| 2 | 1.15 | 0 | <2h | Heat state (Following the No.1 test) | |

Specification

| Item | Number | Setting range (A) | For contactor |
|----------|--------|-------------------|---------------|
| JR28-25 | 1301 | 0.1~0.16 | CJX2-09~32 |
| | 1302 | 0.16~0.25 | CJX2-09~32 |
| | 1303 | 0.25~0.4 | CJX2-09~32 |
| | 1304 | 0.4~0.63 | CJX2-09~32 |
| | 1305 | 0.63~1 | CJX2-09~32 |
| | 1306 | 1~1.6 | CJX2-09~32 |
| | 1307 | 1.6~2.5 | CJX2-09~32 |
| | 1308 | 2.5~4 | CJX2-09~32 |
| | 1310 | 4~6 | CJX2-09~32 |
| | 1312 | 5.5~8 | CJX2-09~32 |
| | 1314 | 7~10 | CJX2-09~32 |
| | 1316 | 9~13 | CJX2-09~32 |
| | 1321 | 12~18 | CJX2-09~32 |
| | 1322 | 17~25 | CJX2-32 |
| JR28-36 | 2353 | 23~32 | CJX2-09~32 |
| | 2355 | 30~40 | CJX2-09~32 |
| | 3322 | 17~25 | CJX2-09~32 |
| | 3353 | 23~32 | CJX2-09~32 |
| JR28-93 | 3355 | 30~40 | CJX2-09~32 |
| | 3357 | 37~50 | CJX2-09~32 |
| | 3359 | 48~65 | CJX2-09~32 |
| | 3361 | 55~70 | CJX2-09~32 |
| | 3363 | 63~80 | CJX2-09~32 |
| JR28-150 | 3365 | 80~93 | CJX2-95 |
| | 4365 | 80~104 | CJX2-95 |
| | 4367 | 95~120 | CJX2-95~115 |
| | 4369 | 110~140 | CJX2-115 |
| | 5369 | 90~150 | CJX2-150 |

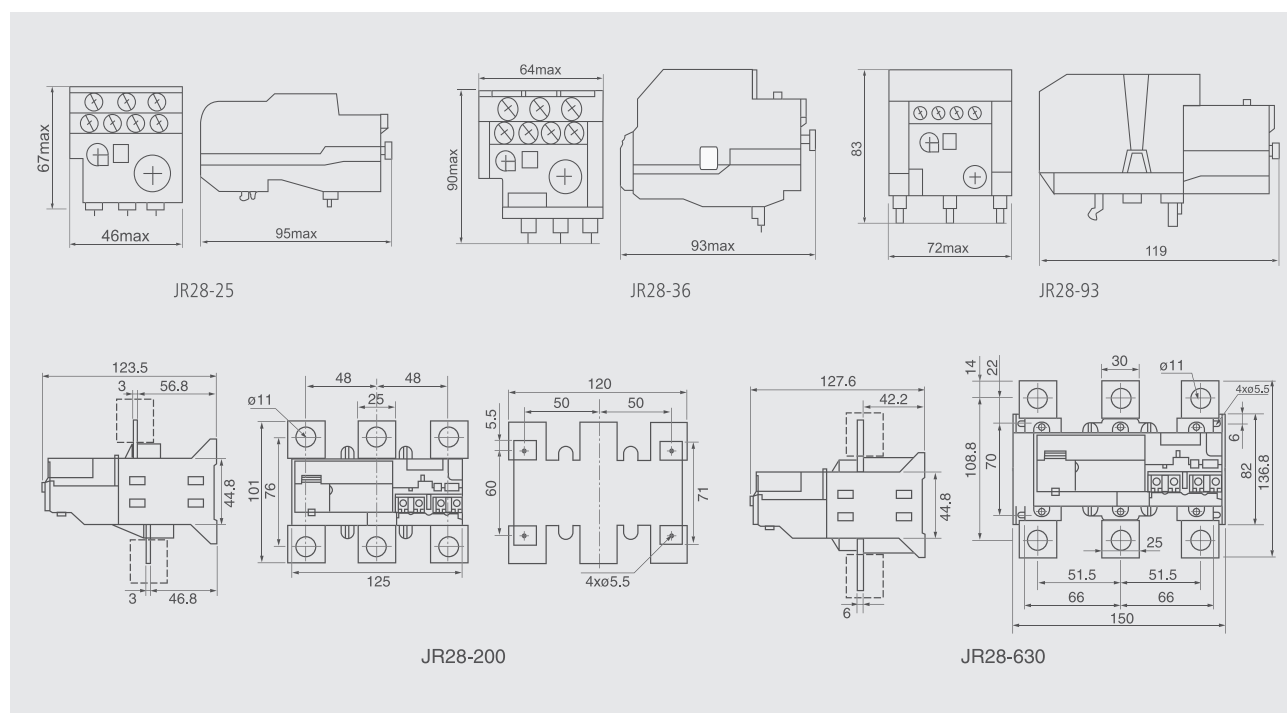
Specification






JR28-630

| Item | Number | Setting range (A) | For contactor |
|----------|--------|-------------------|----------------|
| JR28-200 | F5357 | 30~50 | CJX2-F115~F185 |
| | F5363 | 48~80 | CJX2-F115~F185 |
| | F5367 | 60~100 | CJX2-F115~F185 |
| | F5369 | 90~150 | CJX2-F115~F185 |
| JR28-630 | F5371 | 132~220 | CJX2-F225~F265 |
| | F7375 | 200~330 | CJX2-F225~F500 |
| | F7379 | 300~500 | CJX2-F225~F500 |
| | F7381 | 380~630 | CJX2-F400~F630 |

Outline and Mounting Dimension



Accessories

| | | | |
|-------------|---|---|---|
| Pic |  |  |  |
| Description | JR28-25 mounting base | JR28-36 mounting base | JR28-93 mounting base |
| Application | Assembled with JR28-25 to form a complete set | Assembled with JR28-36 to form a complete set | Assembled with JR28-93 to form a complete set |

Application

JR28N series thermal relay is suitable for using in the circuits rated voltage up to 660V, rated current 93A AC 50/60Hz, for over-current protection of AC motor. The relay has the differential mechanism and temperature compensation and can plug in CJX2N series AC contactor. The product conforms to IEC60947-4-1 standard.



JR28N-25



JR28N-36



JR28N-93

Motion Characteristic: Three-phase Balance Motion Time

| No | Times of the setting current(A) | Motion time | | | Start condition | Ambient temperature |
|----|---------------------------------|-------------|-----------|------|-----------------|---------------------|
| 1 | 1.05 | >2h | | | Cold state | 20±5°C |
| 2 | 1.2 | <2h | | | Heat state | |
| 3 | 1.5 | <4min | | | Heat state | |
| 4 | 7.2 | 10A | 2s<Tp≤10s | ≤63A | Cold state | |
| | | 10 | 4s<Tp≤10s | >63A | | |

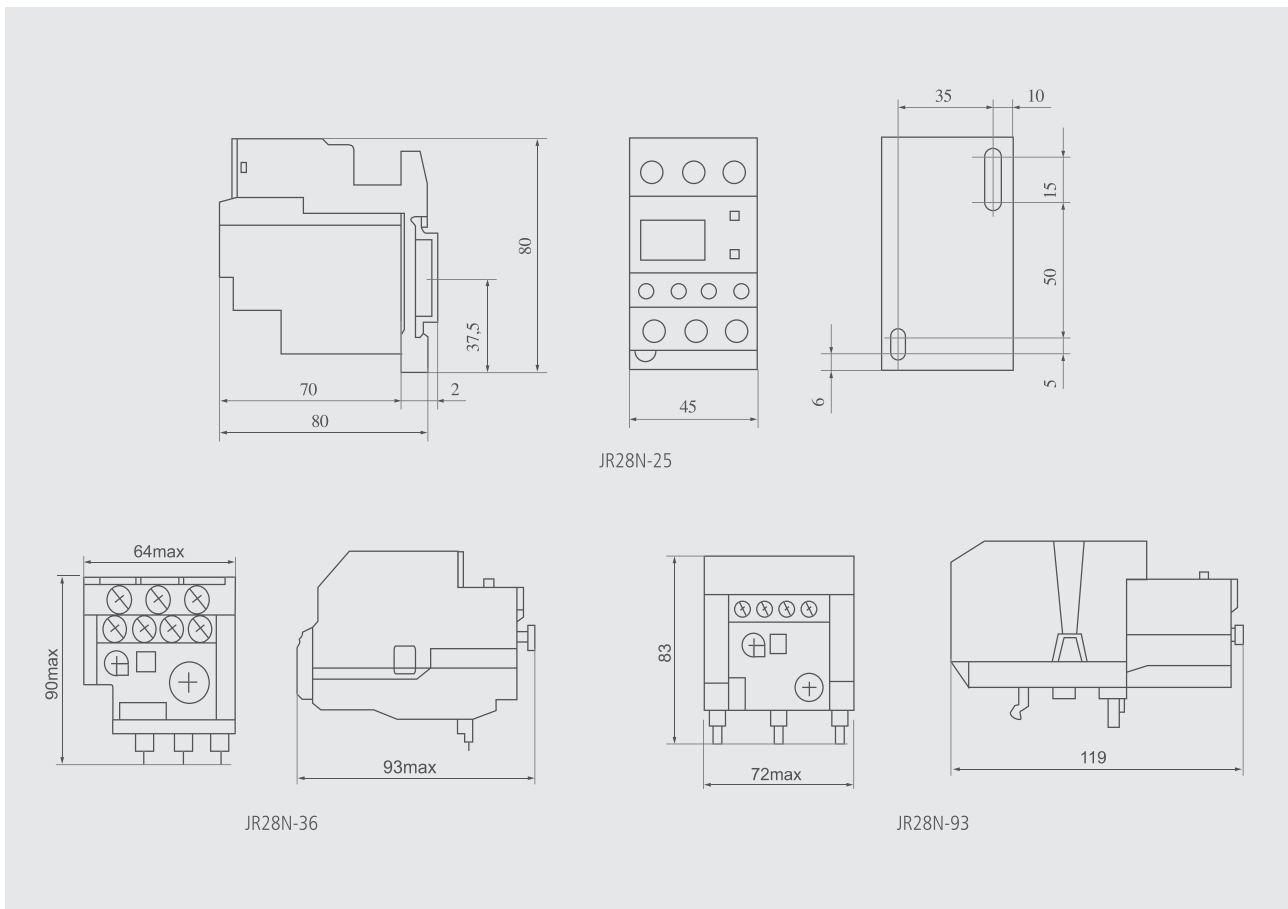
Phase-losing Motion Characteristic

| No | Times of the setting current(A) | | Motion time | Start condition | Ambient temperature |
|----|---------------------------------|---------------|-------------|--------------------------------------|---------------------|
| | Any two phases | Another phase | | | |
| 1 | 1.0 | 0.9 | >2h | Cold state | 20±5°C |
| 2 | 1.15 | 0 | <2h | Heat state (Following the No.1 test) | |


Specification

| Item | Number | Setting range (A) | For contactor |
|----------|--------|-------------------|---------------|
| JR28N-25 | D01 | 0.10~0.16 | CJX2N-09~38 |
| | D02 | 0.16~0.25 | CJX2N-09~38 |
| | D03 | 0.25~0.40 | CJX2N-09~38 |
| | D04 | 0.40~0.63 | CJX2N-09~38 |
| | D05 | 0.63~1 | CJX2N-09~38 |
| | D06 | 1~1.7 | CJX2N-09~38 |
| | D07 | 1.6~2.5 | CJX2N-09~38 |
| | D08 | 2.5~4 | CJX2N-09~38 |
| | D10 | 4~6 | CJX2N-09~38 |
| | D12 | 5.5~8 | CJX2N-09~38 |
| | D14 | 7~10 | CJX2N-09~38 |
| | D16 | 9~13 | CJX2N-09~38 |
| | D21 | 12~18 | CJX2N-09~38 |
| | D22 | 16~24 | CJX2N-09~38 |
| JR28N-36 | D53 | 30~38 | CJX2N-09~38 |
| | 2353 | 23~32 | CJX2N-25~32 |
| | 2355 | 30~40 | CJX2N-25~32 |
| | 3322 | 17~25 | CJX2N-40~95 |
| | 3353 | 23~32 | CJX2N-40~95 |
| JR28N-93 | 3355 | 30~40 | CJX2N-40~95 |
| | 3357 | 37~50 | CJX2N-50~95 |
| | 3359 | 48~65 | CJX2N-50~95 |
| | 3361 | 55~70 | CJX2N-65~95 |
| | 3363 | 63~80 | CJX2N-65~95 |
| | 3365 | 80~93 | CJX2N-95 |

Outline and Mounting Dimension



Accessories

| | | |
|-------------|---|---|
| Pic |  |  |
| Description | JR28N-36 mounting base | JR28N-93 mounting base |
| Application | Assembled with JR28N-36 to form a complete set | Assembled with JR28N-93 to form a complete set |